



LUXE ATELIER

MILANO

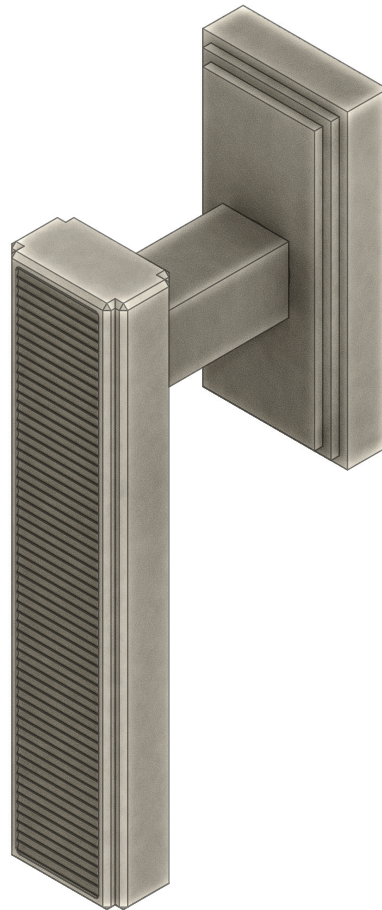
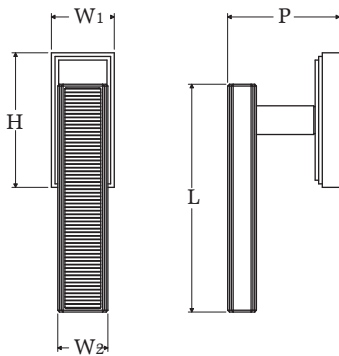


Drehkipp per Finestra Serie Helios 02
Helios Series 02 Drehkipp Window Handle

Dimensioni
Dimensions

	L	P	W ₂	W ₁	H
S	100	62	28	35	75
M	115	62	28	35	75
L	130	62	28	35	75

Dimensioni in millimetri
Dimensions given in millimeters



Fornito con meccanismo DK q.7x45mm e viti M5x50.
Disponibile in tutte le finiture standard.
Dimensioni e finiture su misura disponibili su richiesta.
*Regularly furnished with DK mechanism q.7x45mm and M5x50 screws.
Additional sizes available by special order. Available in standard and custom finishes.*